

NOTES: TYPICAL SPECIFICATIONS

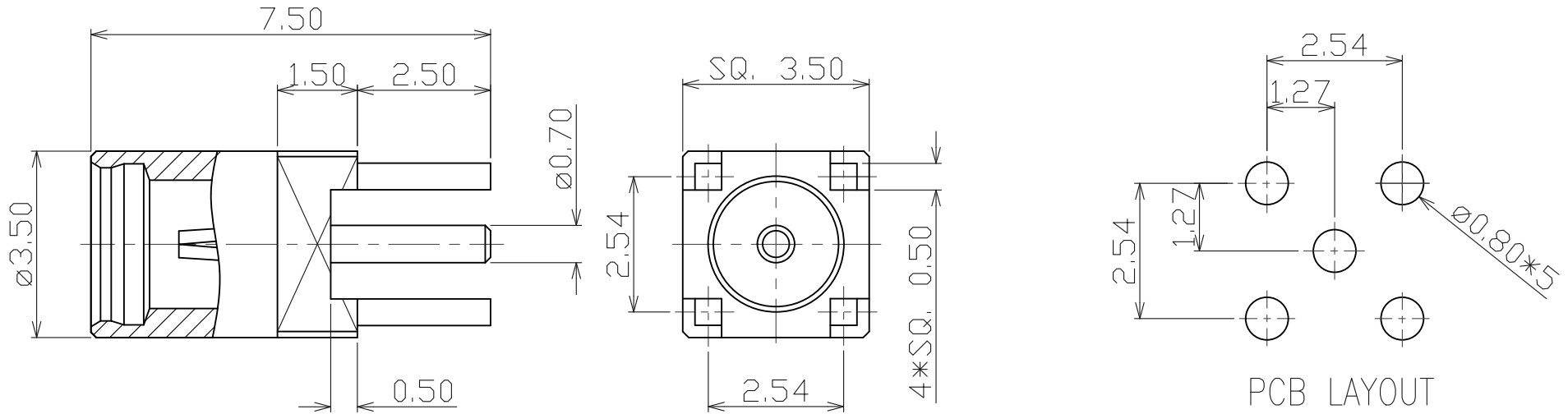
1.0. ELECTRICAL DATA

- 1.1. FREQUENCY RANGE ---- DC ... 6 GHz
- 1.2. IMPEDANC ---- 50 Ohms
- 1.3. VSWR ---- < 1.35
- 1.4. DIELECTRIC WITHSTANDING VOLTAGE ---- 500 Vrms
- 1.5. WORKING VOLTAGE ---- 170 Vrms max.
- 1.6. INSULATION RESISTANCE ---- 1000 Mega-Ohms
- 1.7. CENTER CONTACT RESISTANCE ---- 6.0 mini-Ohms
- 1.8. OUTER CONTACT RESISTANCE ---- 2.5 mini-Ohms

2.0. MECHANICAL DATA

- 2.1. COUPLING METHOD ---- SNAP-ON
- 2.2. DURABILITY (MATING/UNMATING) ---- 500 Cycles
- 2.3. ENGAGEMENT FORCE ---- 6.5 lbs max.
- 2.4. DISENGAGEMENT FORCE ---- 1.4 to 6.5 lbs

REV.	DESCRIPTION	DRAWN/DATE	CHECK/DATE	APPROVED/DATE
A	A1	TONY/2014.07.16	ABIN/2014.07.16	ROBERT/2014.07.16



ITEM	ITEM NAME	MATERIAL	FINISH	Q'TY/EA	PART NUMBER
3	FEMALE INSULATOR	TEFLON		1	
2	FEMALE CONDUCTOR	BE-CU	GOLD	1	
1	JACK BODY	BRASS	GOLD	1	

THIS DRAWING IS A CONTROLLED DOCUMENT GENERAL TOLERANCE X. ±0.38 .X ±0.25 .XX ±0.15 .XXX ±0.05 ANGLE TOLERANCE X° ±3.0° .X° ±2.0° .XX° ±1.0°		DRAWN TONY DATE 07/16/2014	SATRON ELECTRONICS LTD. TITLE MMCX JACK STR FOR PCB	
UNLESS OTHERWISE SPECIFIED 1.REMOVE ALL BURRS 2.BREAK ALL SHARP EDGES C0.2 MAX. 3.CHAMFER 1ST-LAST THREADS 45° 4.MACHINE SURFACE ROUGHNESS 5.DIAMETERS ON COMEON CENTERS TO BE CONCENTRIC WITHIN 0.2 T.I.R. 6.ALL DIMENSIONS ARE AFTER PLATING		CHECKED DATE APPROVED DATE	UNIT mm [INCHES]	SIZE A3
MATERIAL SEE NTOES		FINISH SEE NTOES		DRAWING NO. MMCX0818
CUSTOMER DRAWING NON			SHEET 1 OF 1 SCALE 10 : 1 FILE NO:MOB18-50111T0-B	