

NOTES: TYPICAL SPECIFICATIONS

1.0. ELECTRICAL DATA

- 1.1. FREQUENCY RANGE ---- DC ... 4 GHz
- 1.2. IMPEDANC ---- 50 Ohms
- 1.3. VSWR ---- < 1.35
- 1.4. DIELECTRIC WITHSTANDING VOLTAGE ---- 750 Vrms
- 1.5. INSULATION RESISTANCE ---- 1000 Mega-Ohms
- 1.6. CENTER CONTACT RESISTANCE ---- 20.0 mini-Ohms
- 1.7. OUTER CONTACT RESISTANCE ---- 10.0 mini-Ohms

2.0. MECHANICAL DATA

- 2.1. COUPLING METHOD ---- SNAP-ON
- 2.2. DURABILITY (MATING/UNMATING) ---- 100 Cycles
- 2.3. ENGAGEMENT FORCE ---- 14 lbs max.
- 2.4. DISENGAGEMENT FORCE ---- 14 lbs max.

REV.	DESCRIPTION	DRAWN/DATE	CHECK/DATE	APPROVED/DATE

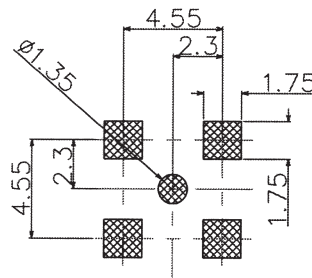
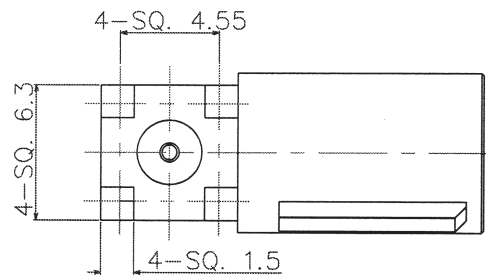
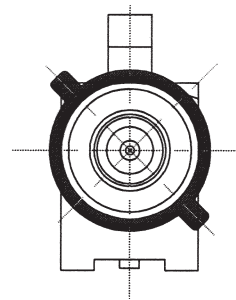
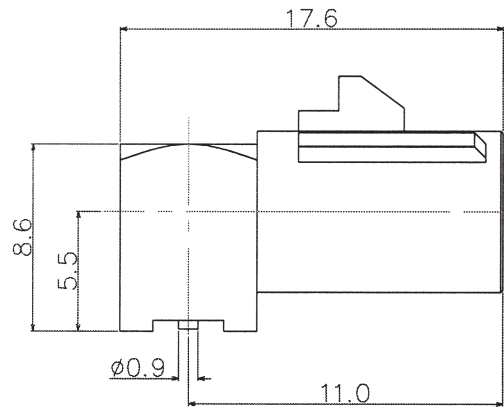
Order information:

**SN-FKX940**

CODE? WHAT IS THE CODE?

CODE REFERENCE CHART

CODE	DESCRIPTION	CODE
<b>A</b>	Black 9005	Violet 4003 GPS for telematics and navigation
	Radio without phantom supply	
<b>B</b>	Cream white 9001	Beige 1001 Remote control parking heating
	Radio phantom supply	
<b>C</b>	Blue 5005	Curry 1027 Radio with IF
	GPS	
<b>D</b>	Bordeaux 4004	Carmine red 3002 Not defined
	GSM cellular phone	
<b>E</b>	Green 6002	Pastel orange 2003 Not defined
	TV1 / SDARS	
<b>F</b>	Brown 8011	Pastel green 6019 Not defined
	TV2 / SDARS	
<b>G</b>	Grey 7031	Water blue 5021 Neutral coding
	Remote control keyless entry	



Recommend PCB LAYOUT

BOM

ITEM	ITEM NAME	MATERIAL	FINISH	Q'TY/EA	PART NUMBER
5	HOUSING	PA66	By Code Color	1	
4	REAR BODY	BRASS	GOLD	1	
3	INSULATOR	TEFLON		2	
2	CENTER CONTACT	BRASS	GOLD	1	
1	BODY	BARSS	GOLD	1	

GENERAL TOLERANCE	ANGLE TOLERANCE
X. ±0.25	X' ±3.0'
.X ±0.15	.X' ±2.0'
.XX ±0.08	.XX' ±1.0'

- UNLESS OTHERWISE SPECIFIED
1. REMOVE ALL BURRS
  2. BREAK ALL SHARP EDGES CO.2 MAX.
  3. CHAMFER 1ST~LAST THREADS 45°
  4. MACHINE SURFACE ROUGHNESS
  5. DIAMETERS ON COME ON CENTERS TO BE CONCENTRIC WITHIN 0.2 T.I.R.
  6. ALL DIMENSIONS ARE AFTER PLATING

MATERIAL SEE BOM	FINISH SEE BOM
---------------------	-------------------

DRAWN NEIL	DATE 02/16/2011
CHECKED	DATE
APPROVED	DATE

UNIT mm [INCHES]	SIZE A3	PART NO. SN-FKX940	REV. A
---------------------	------------	-----------------------	-----------

Satron Electronics Ltd.

FAKRA PLUG R/A FOR SMT

