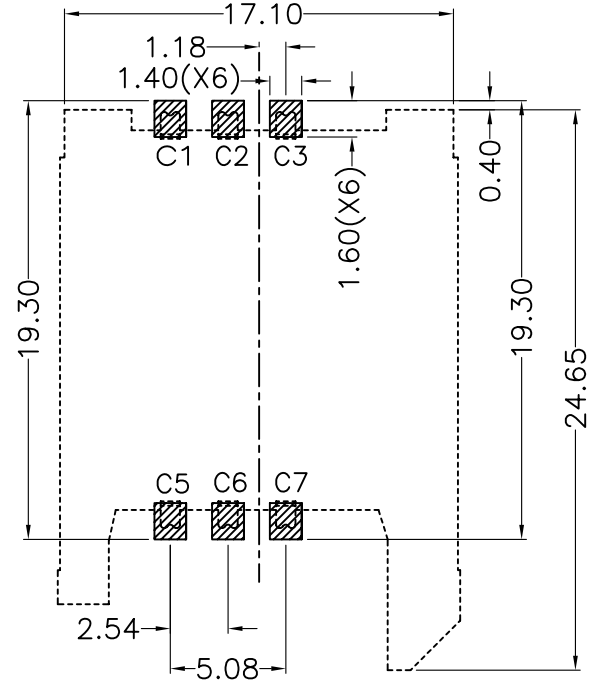
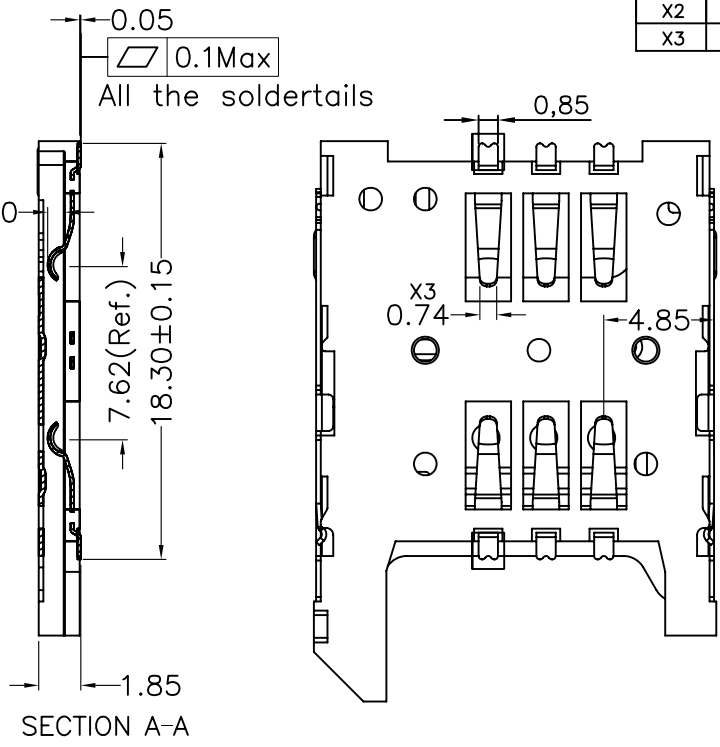
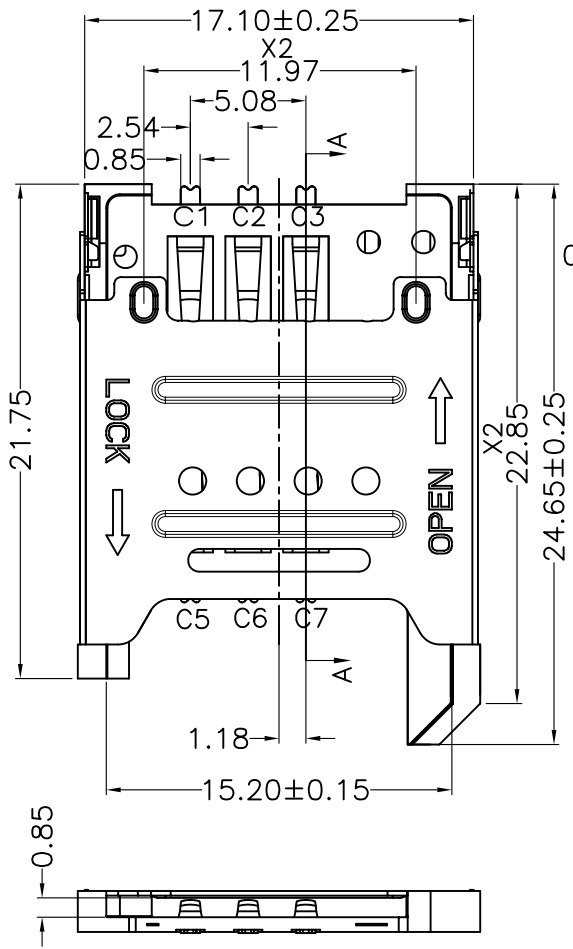


REV.	DESCRIPTION OF REVISIONS	APPR.	DRAW.	RELEASE	DATE
X1					
X2					
X3					



RECOMMENDED P.C.B LAYOUT
COMPONENT SIDE(TOLERANCE ±0.05)

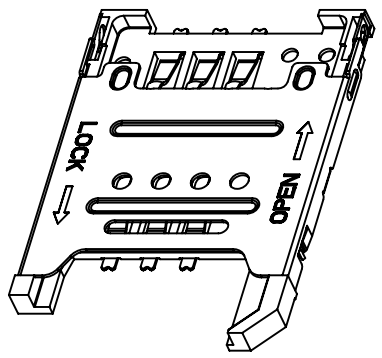
TECHNICAL CHARACTERISTICS

1.General Characteristics
 Dimensions: 24.65LX17.10WX1.85H mm
 Weight: Approx0.90±0.2g
 Durability: 5,000 cycles min.

2.Electrical Characteristics
 Contact resistance: 50mΩ typical,100mΩ max
 Insulation resistance: >1000MΩ/500V DC

3.Solderability
 Vapor phase: 215°C,30sec.Max
 IR reflow: 250°C,5sec.Max
 Manual soldering: 370°C,3sec.Max

4.Environmental Characteristics
 Operating temperature: -40°C~+85°C
 Operating humidity: 10%~+95%RH



ITEM	PART NAME	Q'TY	MATERIAL	FINISH
1	BASE	1	Hi-temp Thermoplastic	Black UL94V-0
2	SHELL	1	Stainless steel	
3	DATA CONTACT	6	Copper Alloy	Contact area:Gold plated

Unless otherwise specified, other tolerance are:		Satron Electronics Ltd.		
X ±0.35	X' ±5'			NAME: SIM Card Connector
X.X ±0.25	X.X' ±4'			MODEL NO: SN-M1715
X.XX ±0.15	X.XX' ±3'			
X.XXX ±0.10	X.XXX' ±2'			
PROJ.	UNIT	SCALE	DRAWN	DWG NO.:
①	mm	1:1	CHECKED	DWG-SN-M1715
CUSTOMER DRAWING			APPROVAL	SHEET 1/1
				REVISION X3

