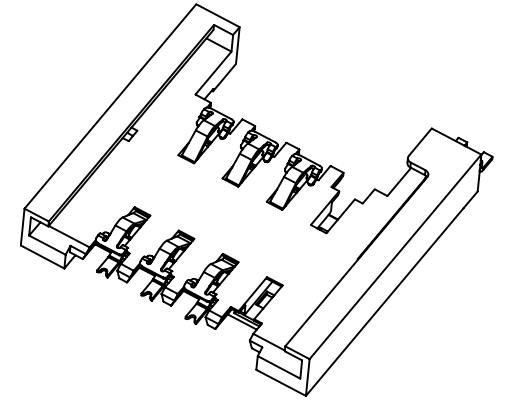
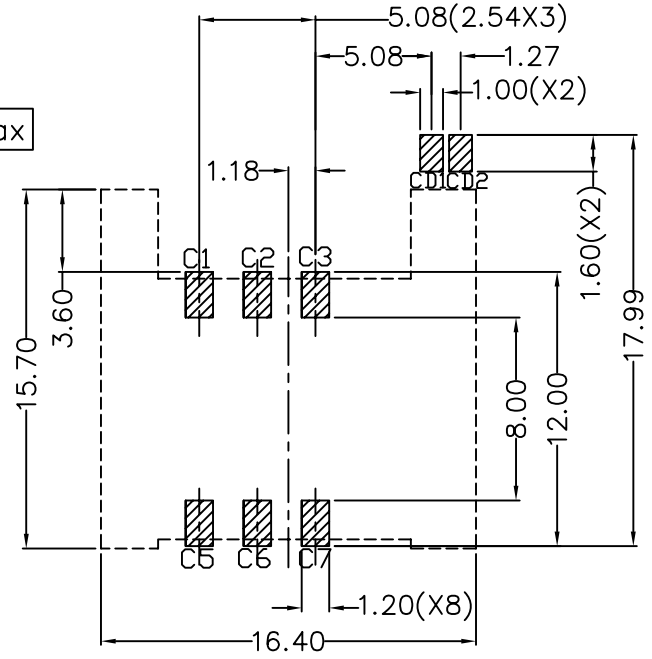
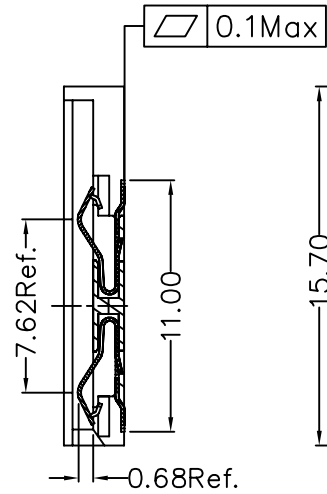
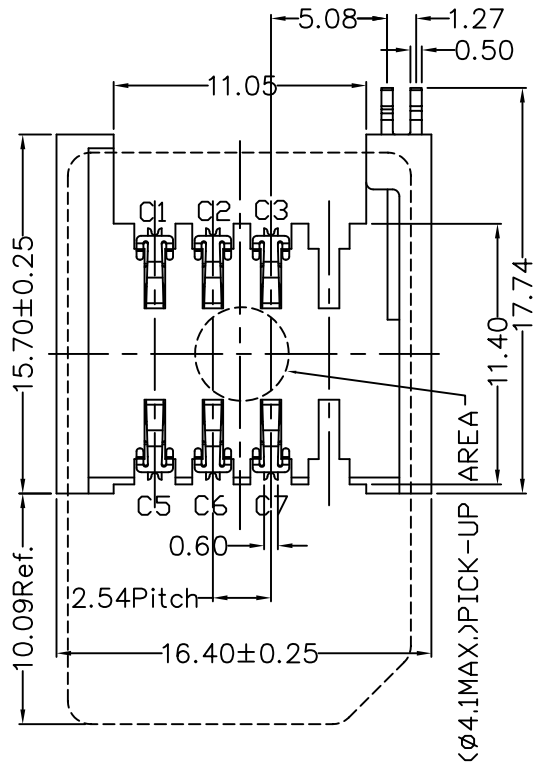
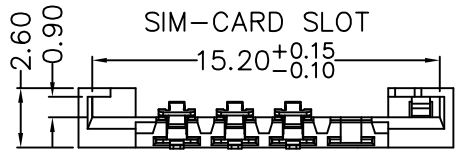


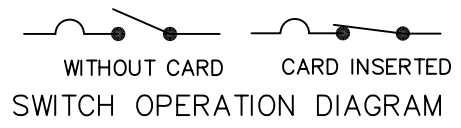
REV.	DESCRIPTION OF REVISIONS	APPR.	DRAW.	RELEASE	DATE
X1					
X2					



RECOMMENDED P.C.B LAYOUT  
COMPONENT SIDE(TOLERANCE  $\pm 0.05$ )



ELECTRIC FUNCTION	DETECT SWITCH
WITHOUT CARD	OPEN
CARD INSERTED	CLOSED



TECHNICAL CHARACTERISTICS

- General Characteristics**  
 Dimensions: 15.70LX16.40WX2.60 mm  
 Weight: Approx 0.50±0.2g  
 Durability: 5,000 cycles min.
- Electrical Characteristics**  
 Contact resistance: 50mΩ typical, 100mΩ max  
 Insulation resistance: >1000MΩ/500V DC
- Solderability**  
 IR reflow: 260°C, 10sec. Max  
 Manual soldering: 370°C, 3sec. Max
- Environmental Characteristics**  
 Operating temperature: -40°C~+85°C  
 Operating humidity: 10%~+95%RH

ITEM	PART NAME	Q'TY	MATERIAL	FINISH
1	HOUSING	1	Hi-temp Thermoplastic	Black UL94V-0
2	DATA CONTACT	6	Copper Alloy	Contact area: Gold plated
3	SWITCH CONTACT 2	1	Copper Alloy	Contact area: Gold plated
4	SWITCH CONTACT 1	1	Copper Alloy	Contact area: Gold plated

Unless otherwise specified, other tolerance are:

X	±0.35	X'	±5'
X.X	±0.25	X.X'	±4'
X.XX	±0.15	X.XX'	±3'
X.XXX	±0.10	X.XXX'	±2'

**Satron Electronics Ltd.**

NAME: **SIM Card Connector**  
 MODEL NO: **SN-M237**  
 TYPE: **6pin without post(shorter tail)**

PROJ.	UNIT	SCALE	DRAWN	DWG NO.:
①	mm	1:1		DWG-SN-M237
CUSTOMER DRAWING			CHECKED	SHEET
			APPROVAL	1/1
				REVISION
				X1

