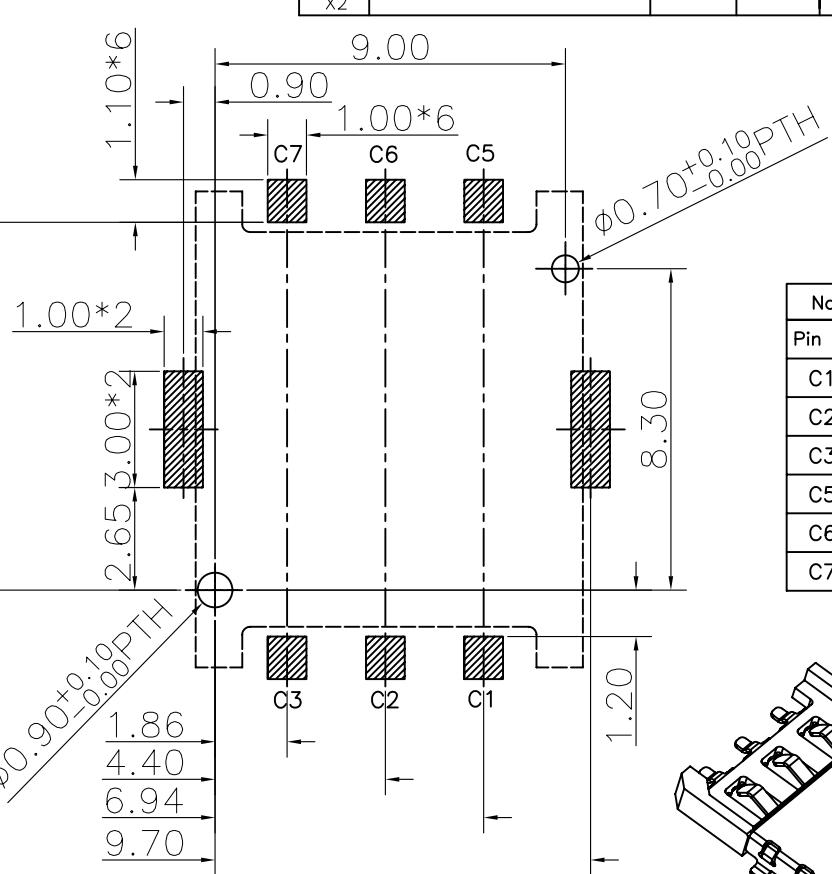
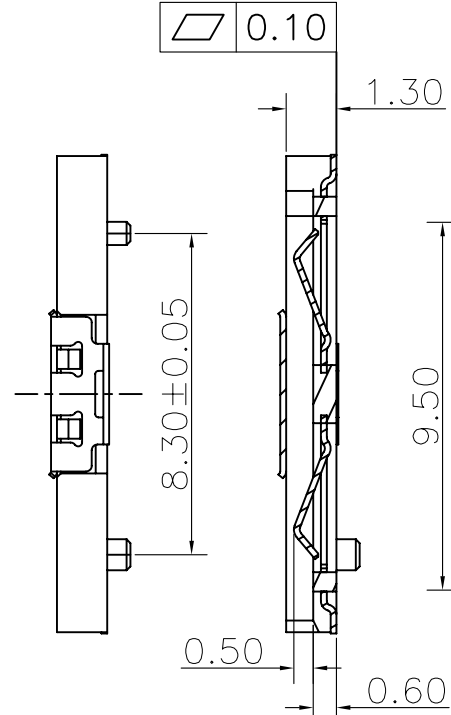
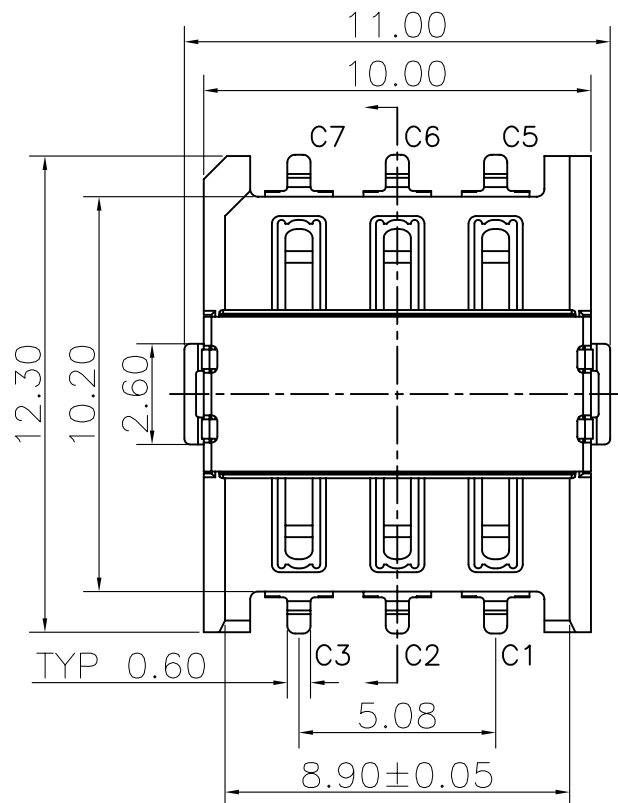
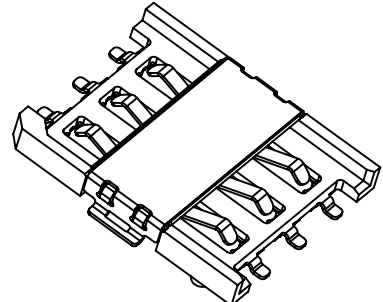


REV.	DESCRIPTION OF REVISIONS	APPR.	DRAW.	RELEASE	DATE
X1					
X2					



Nano-SIM CARD	
Pin No.	NAME
C1	VCC
C2	RST
C3	CLK
C5	GND
C6	VPP
C7	I/O



TECHNICAL CHARACTERISTICS

1.General Characteristics
 Dimensions: 12.30LX10.00WX1.50H mm
 Weight: Approx 0.30±0.2g
 Durability: 1500 cycles min.

2.Electrical Characteristics
 Contact resistance: 50mΩ typical, 100mΩ max
 Insulation resistance: >1000MΩ/500V DC

3.Solderability
 Vaporphase: 215°C, 30sec.Max
 IR reflow: 250°C, 5sec.Max
 Manual soldering: 370°C, 3sec.Max

4.Environmental Characteristics
 Operating temperature: -40°C~+85°C
 Operating humidity: 10%~+95%RH

RECOMMENDED P.C.B LAYOUT
 COMPONENT SIDE(TOLERANCE ±0.05)

ITEM	PART NAME	Q'TY	MATERIAL	FINISH
1	HOUSING	1	Hi-temp Thermoplastic	Black UL94V-0
2	DATA CONTACT	6	Copper Alloy	Contact area:Gold plated
3	SHELL	1	Stainless Steel	SMT area:Gold plated

Unless otherwise specified, other tolerance are:

X	±0.35	X'	±5'
X.X	±0.25	X.X'	±4'
X.XX	±0.15	X.XX'	±3'
X.XXX	±0.10	X.XXX'	±2'

Satron Electronics Ltd.

NAME: **Nano-SIM Card Connector**
 MODEL NO: **SN-M187**
 TYPE: **Push-Pull Type, 6 PIN, H1.50mm**

PROJ.	UNIT	SCALE	DRAWN	DWG NO.:
①	mm	1:1		DWG-SN-M187
CUSTOMER DRAWING			CHECKED	SHEET
			APPROVAL	1/1
				REVISION
				X1

